



## Invisio-Mini

### Sauna heater for concealed installation under the sauna benches. For home use.

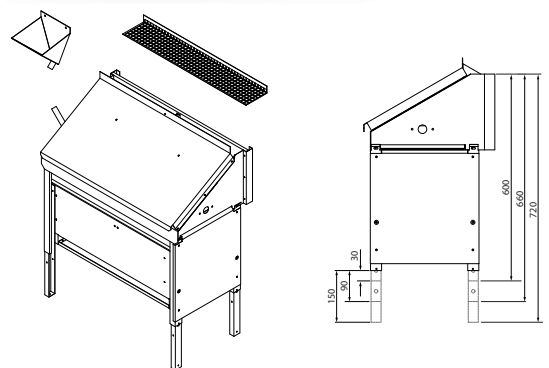
Compact sauna heater for dry Finnish sauna. Special construction for concealed installation under the sauna benches. Includes safety grill and water infusion set.

#### Your advantages:

- Place-saving design - only 10 cm required for the screen wall
- Ideal for small saunas, allows more bench space in the cabin
- High user safety thanks to the concealed installation
- Still allows classic water splashes on the rocks - water infusion set with stainless steel funnel is included
- Includes safety grill - reliable protection against objects falling down on the heater
- Optimized heating performance thanks to the special position of heating elements - for faster heat-up times
- Robust construction. Adjustable height (+/- 12 cm)
- Service-friendly construction
- Made in Germany quality from EOS

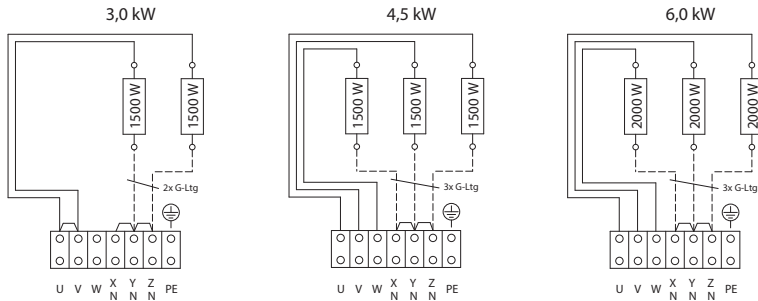
#### Specifications:

Outer shell:	Aluminium-plated steel, stainless steel top cover and feet
Inner shell:	Aluminium-plated steel
Water splash gutter:	Stainless steel
Terminal box:	Integrated in the side panel
Power range:	3.0, 4.5 and 6.0 kW
Electrical connection:	230 V 1N AC 50 Hz (3,0 kW) 400 V 3N AC 50 Hz (4,5 kW / 6,0 kW)
Rock store:	approx. 15 kg, included in delivery
Dimensions (HxWxD):	650/710/770 x 660 x 380 mm (adjustable height)
Installation:	Under the benches.



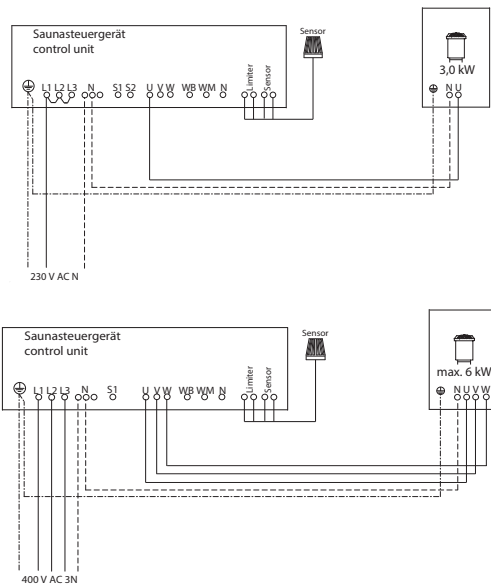
CE IPx4 MADE IN GERMANY

### Wiring scheme

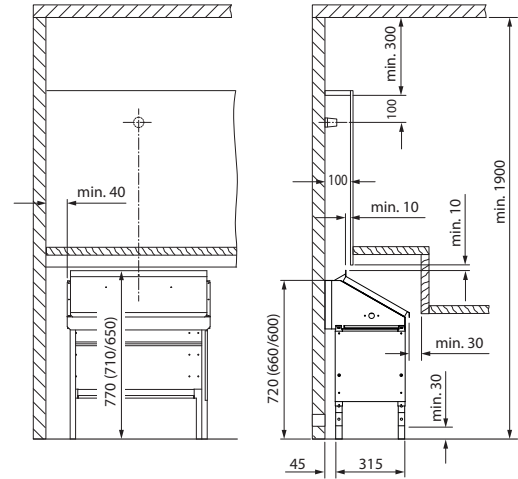


**Attention!** Make sure to always connect the N wire.

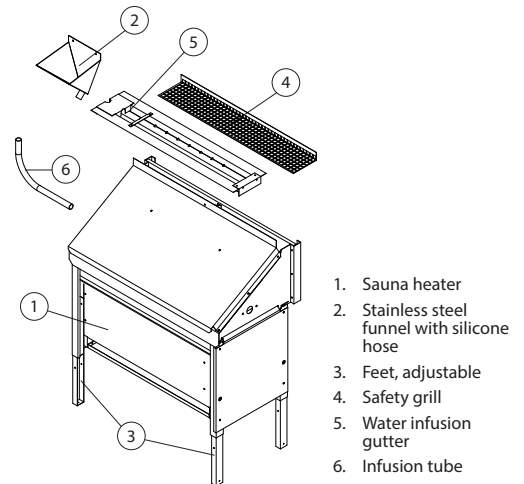
### Connection diagram



### Safety gaps



### Delivery scope



### Spare heating elements and parts

Description	Item no.
3,0 kW (2 x 1500W 230V)	2000.7173
4,5 kW (3 x 1500 W 230V)	2000.7173
6,0 kW (3 x 2000 W 230V)	2000.7524
Stainless steel funnel	70011

Power	Electrical connection	Connection mains - control unit	Connection control unit - heater	Fuse protection control unit
3,0 kW	230 V 1N AC	5 x 2,5 mm <sup>2</sup>	5 x 1,5 mm <sup>2</sup>	1 x 16 A
4,5 kW	400 V 3N AC			3 x 16 A
6,0 kW				3 x 16 A

All cross sections of connection cables are min. diameters in mm<sup>2</sup> (copper wire)

Item no.	Power	Electrical connection	Power extension needed	Dimensions, HxWxD in cm	For sauna cabin size	Min. size of air intake and outlet	Weight without stones and packing	Stone filling	To be used with control units
94.5708	3,0 kW	230V 1N AC	no	Height 65 / 71 / 77 cm Width 66 cm Depth 38 cm	3 - 5 m <sup>3</sup>	35 x 4 cm	19,5 kg	15 kg	Econ D1, D2, D3 Emotec D, H Emotouch II+
94.5709	4,5 kW	400 V 3N AC			4 - 6 m <sup>3</sup>				
94.5710	6,0 kW				6 - 8 m <sup>3</sup>				

Technical changes reserved